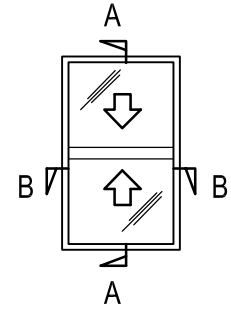
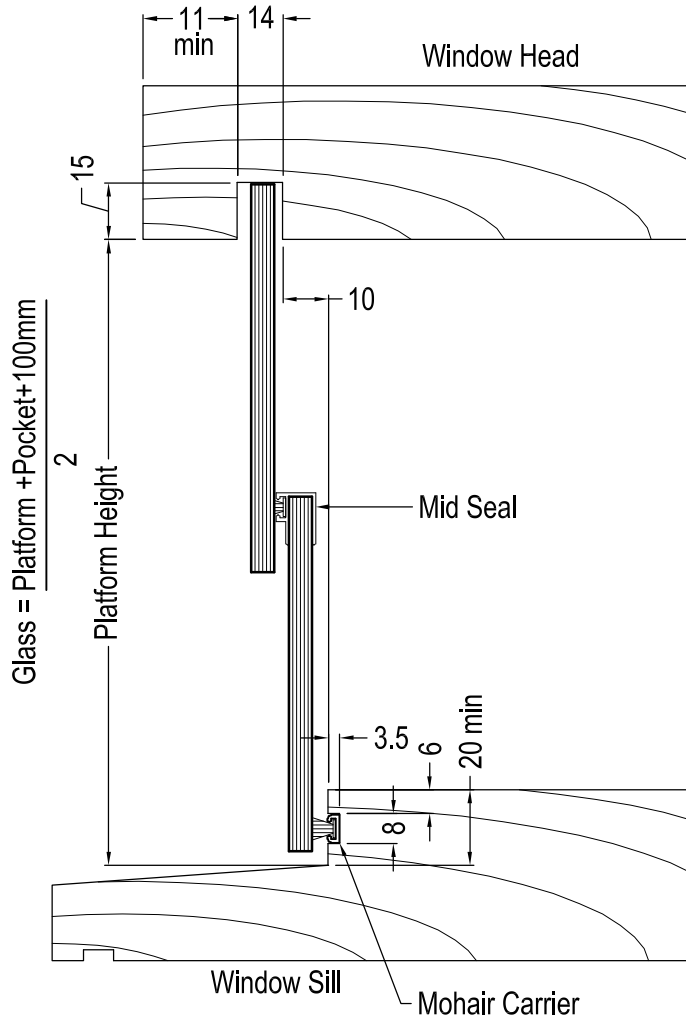




**VERTICAL SLIDING WINDOW - DOUBLE HUNG  
DH1009 - INSTALLED INTO A TIMBER FRAME  
WITH ALUMINIUM GUIDES**



**Features**

- Two panes move within their own plane
- Provides top and bottom opening ventilation
- Narrow aluminium vertical profiles
- Can be retrofitted to solve ventilation problems
- Removable midseal closes off winter draughts
- Lock open position for secure ventilation
- Base pane option

**Specifications**

- Curved or raking heads can be designed
- Frame height from 600mm to 3000mm
- Frame width from 350mm to 1350mm
- Annealed, laminated or toughened glass
- Non standard sizes available

**Timber**

Any available species

**SECTION A-A**

SCALE: 1:2

**SECTION B-B**

SCALE: 1:2

