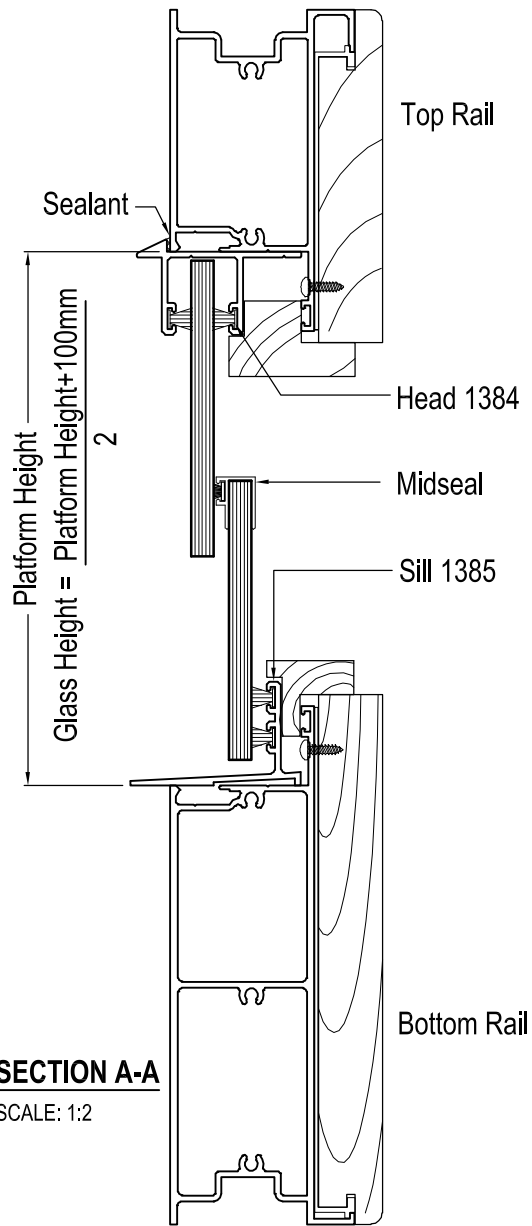


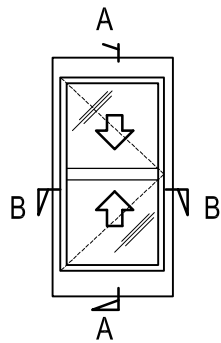


**VERTICAL SLIDING WINDOW - DOUBLE HUNG
DH1005 - INSTALLED INTO "SMARTWOOD" DOOR FRAME WITH
COMPOSITE ALUMINIUM /TIMBER GUIDE**



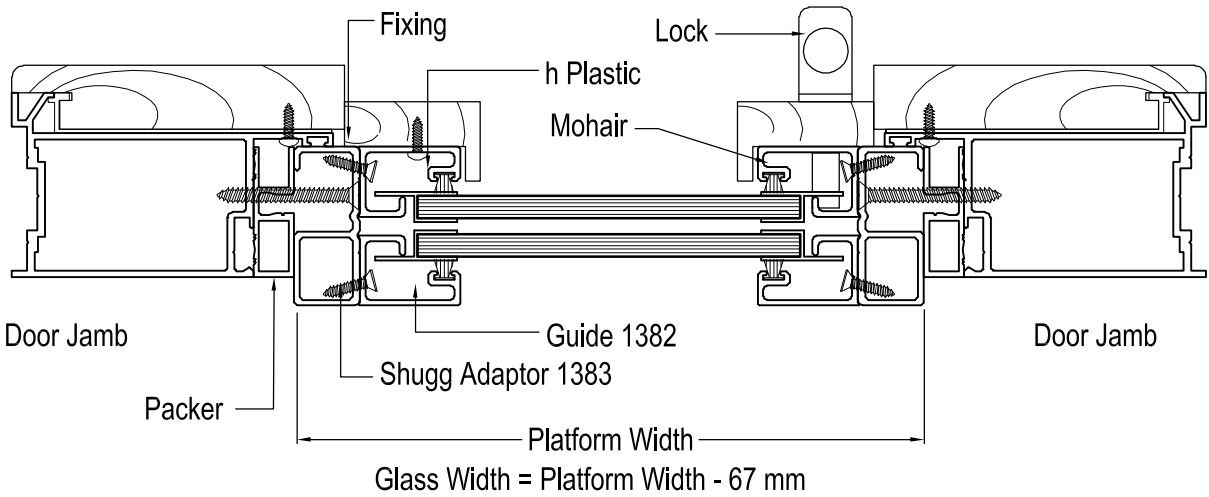
SECTION A-A

SCALE: 1:2



SECTION B-B

SCALE: 1:2



Features

- Two panes move within their own plane
- Provide top and bottom opening ventilation
- Narrow aluminium vertical profiles
- Can be installed into hinged, bifold or sliding doors
- Removable midseal closes off winter draughts
- Lock open position for secure ventilation
- Base pane option

Specifications

- Frame height from 600mm to 3000mm
- Frame width from 390mm to 1350mm
- Laminated or toughened glass
- Non standard sizes are available

Aluminium

All aluminium finishes available

Timber

Any available species