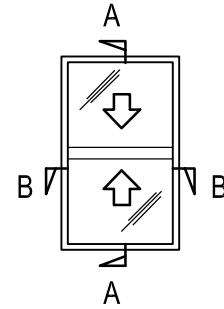
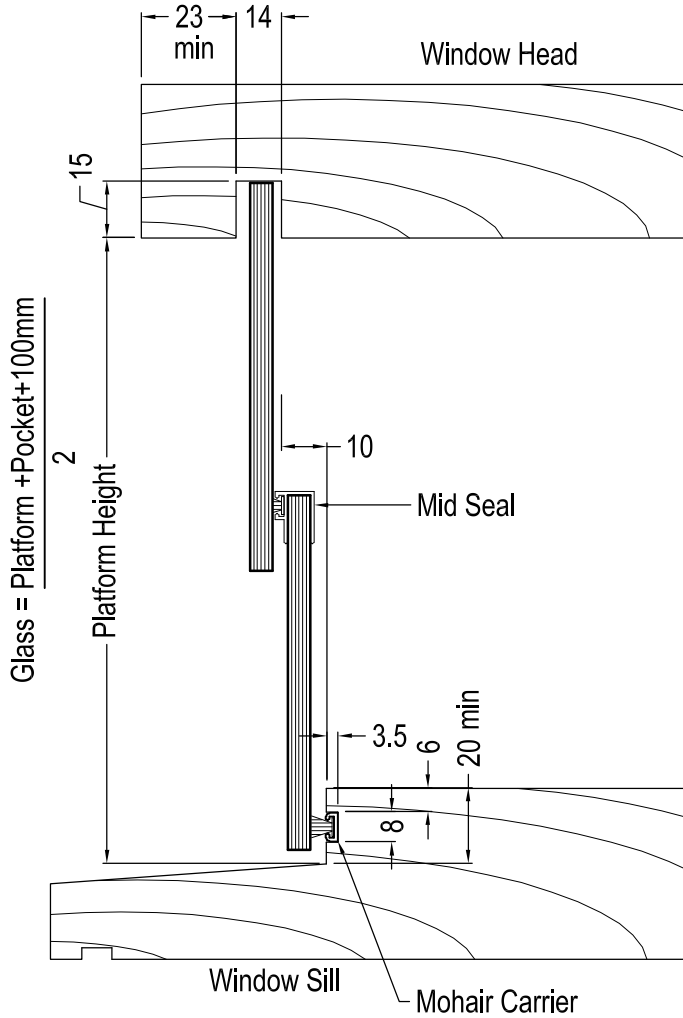




**VERTICAL SLIDING WINDOW - DOUBLE HUNG
DH1008 - INSTALLED INTO A TIMBER FRAME
WITH TIMBER GUIDES**



Features

- Two panes move within their own plane
- Provides top and bottom opening ventilation
- Narrow vertical profiles
- Can be retrofitted to solve ventilation problems
- Removable midseal closes off winter draughts
- Lock open position for secure ventilation
- Base pane option

Specifications

- Curved or raking heads can be designed
- Frame height from 600mm to 3000mm
- Frame width from 350mm to 1350mm
- Annealed, laminated or toughened glass
- Non standard sizes available

Timber

Any available species

SECTION A-A

SCALE: 1:2

SECTION B-B

SCALE: 1:2

